

# PRODUCT SPECIFICATION

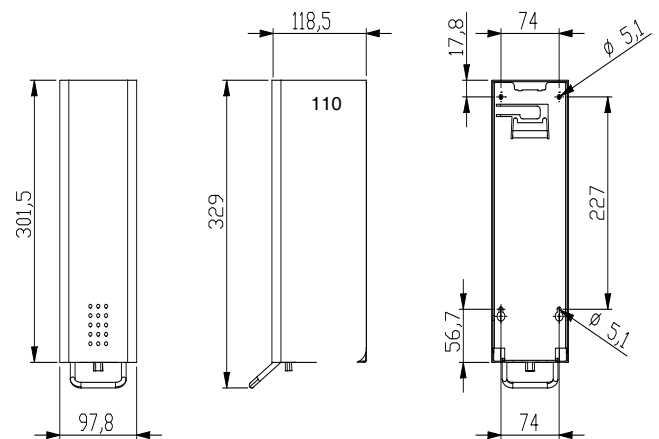
## lotion dispenser ONE brass ME-140-LO

### specification text

soap dispenser, series PROOX ONE brass

dimensions: 100 x 300 x 120 mm

soap dispenser PROOX ONE brass, PVD coated. Cover 1.5 mm thickness. For wall mounting. Perforated fill level indicator with 4mm drillings. Soap dispenser lever made out of stainless steel. High quality pump with retraction function. Filling bin with lid. 1.4 litres capacity. The unit can be replaced for cleaning purpose. Lock not visible. Includes stainless steel screws and plugs.



### further product recommendations



paper towel dispenser  
ME-100

waste bin  
ME-200

double toilet roll holder  
ME-300

toilet brush holder  
ME-500

tissue dispenser  
ME-190