

PRODUCT SPECIFICATION

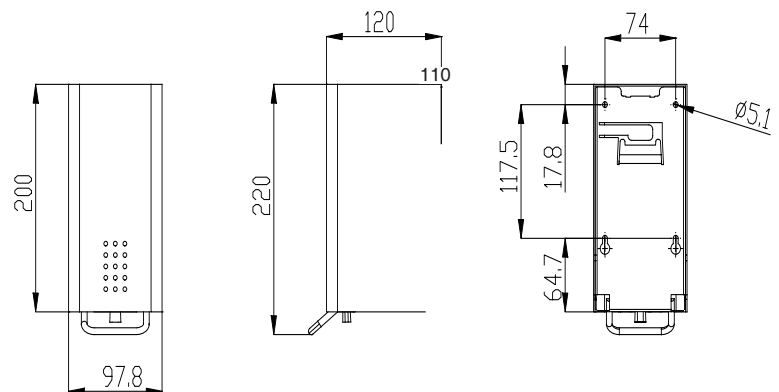
soap dispenser ONE bronze BR-141-LO

specification text

soap dispenser 0.5 l, 98x74x119 mm,
PROOX ONE bronze

dimensions: 97,8 x 200 x 120 mm

Soap dispenser PROOX ONE bronze, made out of stainless steel with PVD coating. Surface with fine brushed structure. Cover 1.5 mm thickness. For wall mounting. Perforated fill level indicator with 4mm drillings. Soap dispenser lever made out of stainless steel with bronze PVD coating. High quality pump with retraction function. Filling bin with lid. 0.5 litres capacity. The unit can be replaced for cleaning purpose. Lock not visible. Includes stainless steel screws and plugs.



further product recommendations



paper towel dispenser
BR-100



waste bin
BR-200



double toilet roll holder
BR-300



toilet brush holder
BR-500



tissue dispenser
BR-190