

PRODUCT SPECIFICATION

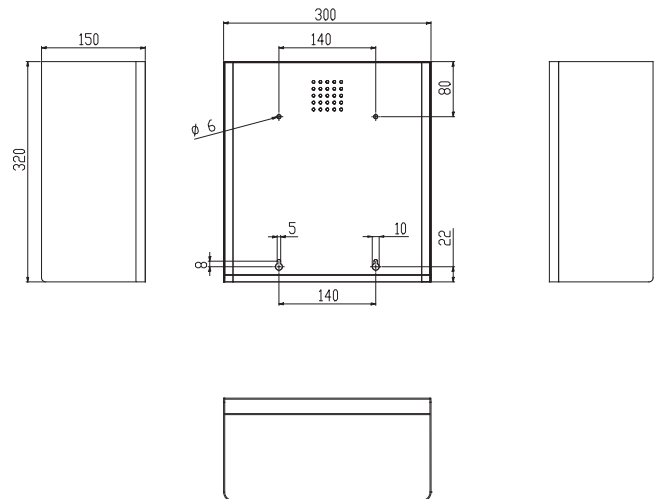
Small waste bin ONE copper KU-230

specification text

small waste bin 300x320x150 mm,
series PROOX ONE copper

dimensions: 300 x 320 x 150 mm

Small waste bin 300x320x150 mm made out of stainless steel with PVD-coating in copper. Surface with brushed structure. Cover 1.5 mm thickness. Intended for wall mounting. Perforated design area with 4mm drillings. Integrated bag holder. 14 litres capacity. Includes stainless steel screws and plugs.



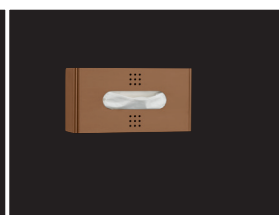
further product recommendations



paper towel dispenser
KU-100



soap dispenser
KU-140-LO



tissue dispenser
KU-190



double toilet roll holder
KU-300



toilet brush holder
KU-500