

PRODUCT SPECIFICATION

lid for waste bin PU-240

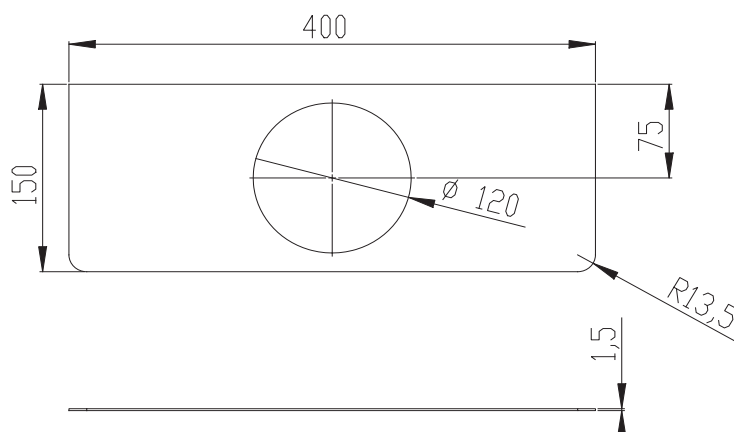
ONE pure
PU-241

specification text

lid for waste bin PU-240, series ONE pure
made out of stainless steel.

dimensions: 400 x 1,5 x 150 mm

Lid for waste bin PU-240. Made out of stainless steel.
Series ONE pure.



further product recommendations



paper towel dispenser
PU-100

soap dispenser
PU-140

tissue dispenser
PU-190

double toilet roll holder
PU-300

toilet brush holder
PU-500